

S 4345 / S 4350 PDA - Detector

The S 4345 and S 4350 PDA - Detector are photodiode array (PDA) detectors for routine analysis and sophisticated research.

The dual lamp design offers a wavelength range of 190 – 720 nm (with 256 Diodes) or from 190 - 1015nm (with 1024 diodes) with a low baseline noise.

The front accessible flow cell can easily be exchanged, as can be the lamps which are accessible through a side panel in the instrument housing.



4-Channel UV/Vis - Detector

The S 4345 / S 4350 PDA - Detector features 4-Wavelength channels to measure chromatograms at 4 different wavelengths at the same time. With this feature the optimum wavelength can be selected for each analysed substance.

Integrated Peak Detector

The integrated Peak Detector works as a basic fraction collector. The peak detection level can be freely programmed for peak start and peak end to enhance the collection purity. An integrated 24V output for switching a solenoid valve is used for the fraction collection, which is automatically operated with a selectable time delay.

Optional - Analog Output

The S 4345 / S 4350 PDA - Detector are available with an optional 4-Channel Analog output. This D/A converter output option is offered to keep the system flexible to be used with any data acquisition software available.

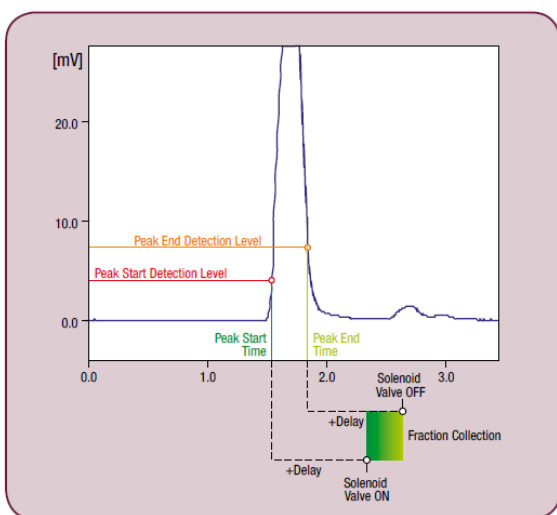


Figure: S 4345 / S 4350 Peak detection

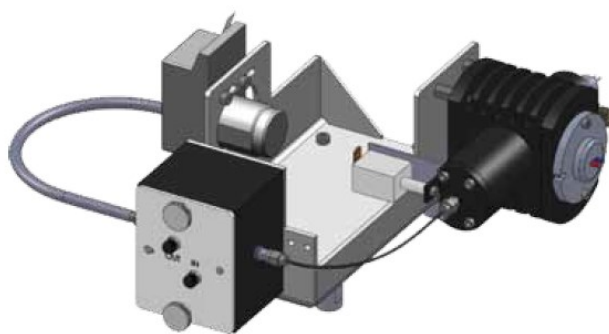


Figure: Optical module S 4345 (256 diodes)

Technical Specifications*

Wetted Materials:	Stainless Steel / PEEK*, Teflon, Glas
Baseline Noise:	$\pm 1 \times 10^{-5}$ AU (@240 nm, 1 sec. Rise time)
Baseline Drift:	$< 3 \times 10^{-4}$ AU/h
Number of diodes:	256 or 1024
Wavelength Range:	190 – 720 nm
Wavelength Accuracy:	0,5 nm (256 Diodes), 0,3 nm (1024 Diodes)
Mean Pixel Pitch:	2,2 nm (256 Diodes), 0,8 nm (1024 Diodes)
Resolution (λ FWHM):	7 nm (256 Diodes), 3 nm (1024 Diodes)
Linearity	> 2.0 AU
Light source:	Deuterium Lamp, Tungsten Lamp
Wavelength Program:	Programmable, 10 Steps
Analog Output:	- (optional: 4 x 1V)
Data Rate:	1 - 100 Hz
Control Features:	Internal Peak Detector with +24 V solenoid switching output
Dimensions:	S 4345 310 x 165 x 478 mm (B x H x T) S 4350 396 x 165 x 478 mm (B x H x T)
Power Supply:	100 - 250 V (47—63 Hz)

Order Information S 4345 and S 4350 PDA - Detector

Part-No.:	Description:
55-S000162	S4350 PDA - Detector - 256 Diodes
55-S000163	S4350 PDA - Detector - 1024 Diodes
55-S000164	S4345 PDA - Detector - 256 Diodes
55-S000165	S4345 PDA - Detector - 1024 Diodes
55-S000169	S 4345 / S 4350 Flow cell, analytical, stainless Steel
55-S000517	S 4345 / S 4350 Flow cell, analytical, PEEK
	Option: 4 Channel Analog Output (available end of 2014)

Order Information Spare Parts S 4345 and S 4350 PDA - Detector

Part-No.:	Description:
55-S000279	Tungsten Lamp for S 4345 / S 4350, preadjusted
55-S000280	Deuterium Lamp for S 4345 / S 4350, preadjusted