

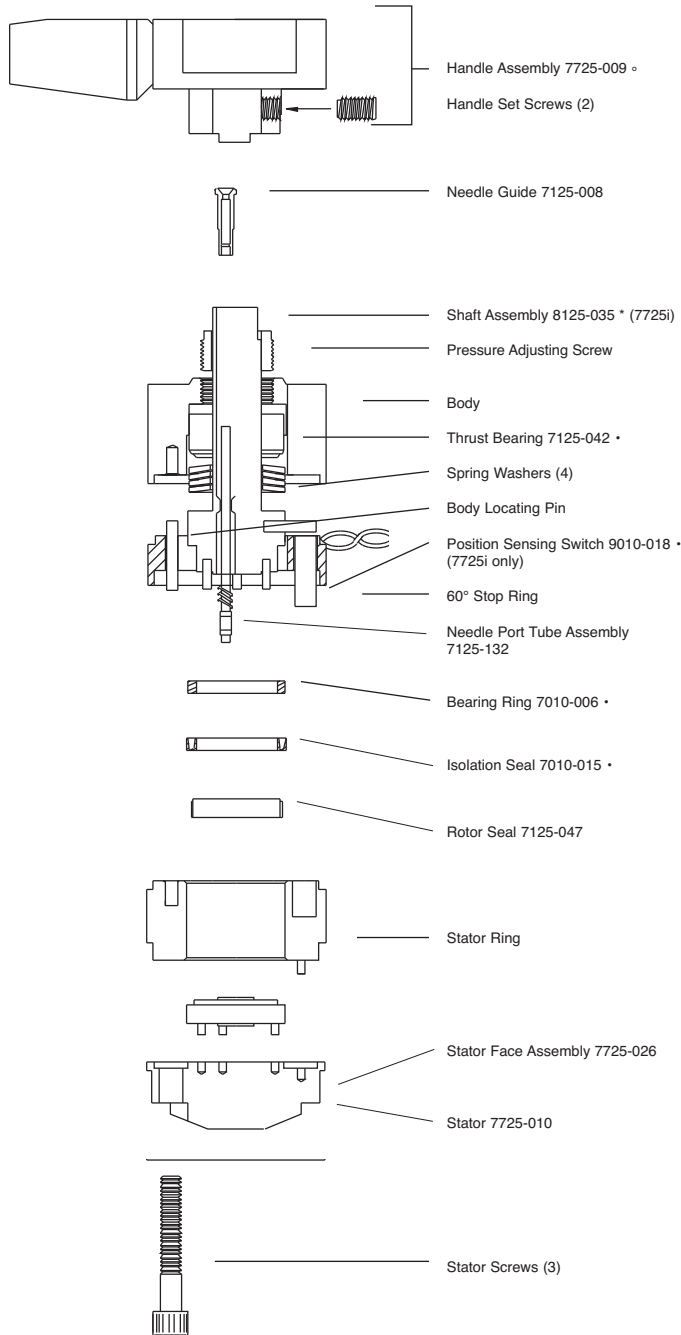


Rheodyne Part Numbers

Models 7725/7725i, 9725/9725i, 3725-038/3725i-038, and 3725/3725i

Sample Injection Valves

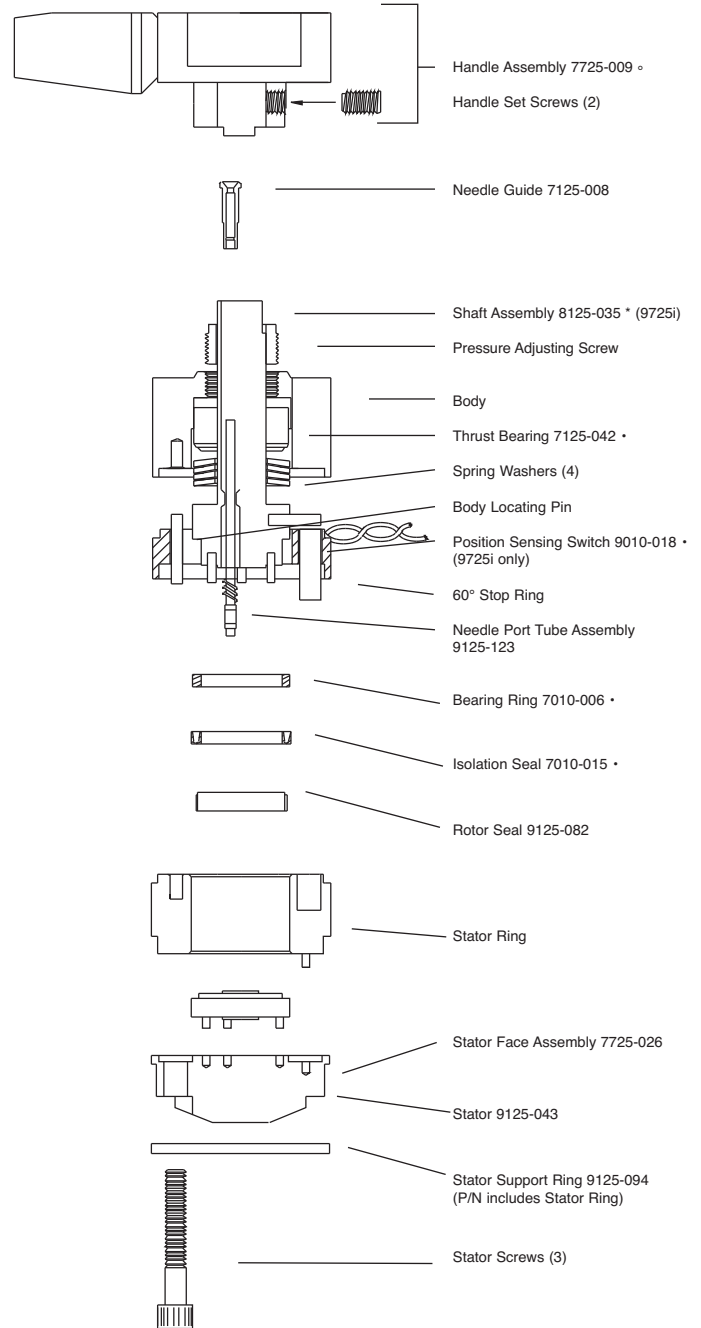
7725/7725i



RheBuild® Kit (P/N 7725-999)

- Parts common to all valves
- Handle assembly includes knob, handle, set screws
- * Shaft Assembly includes shaft, rotor pin, seal pins

9725/9725i



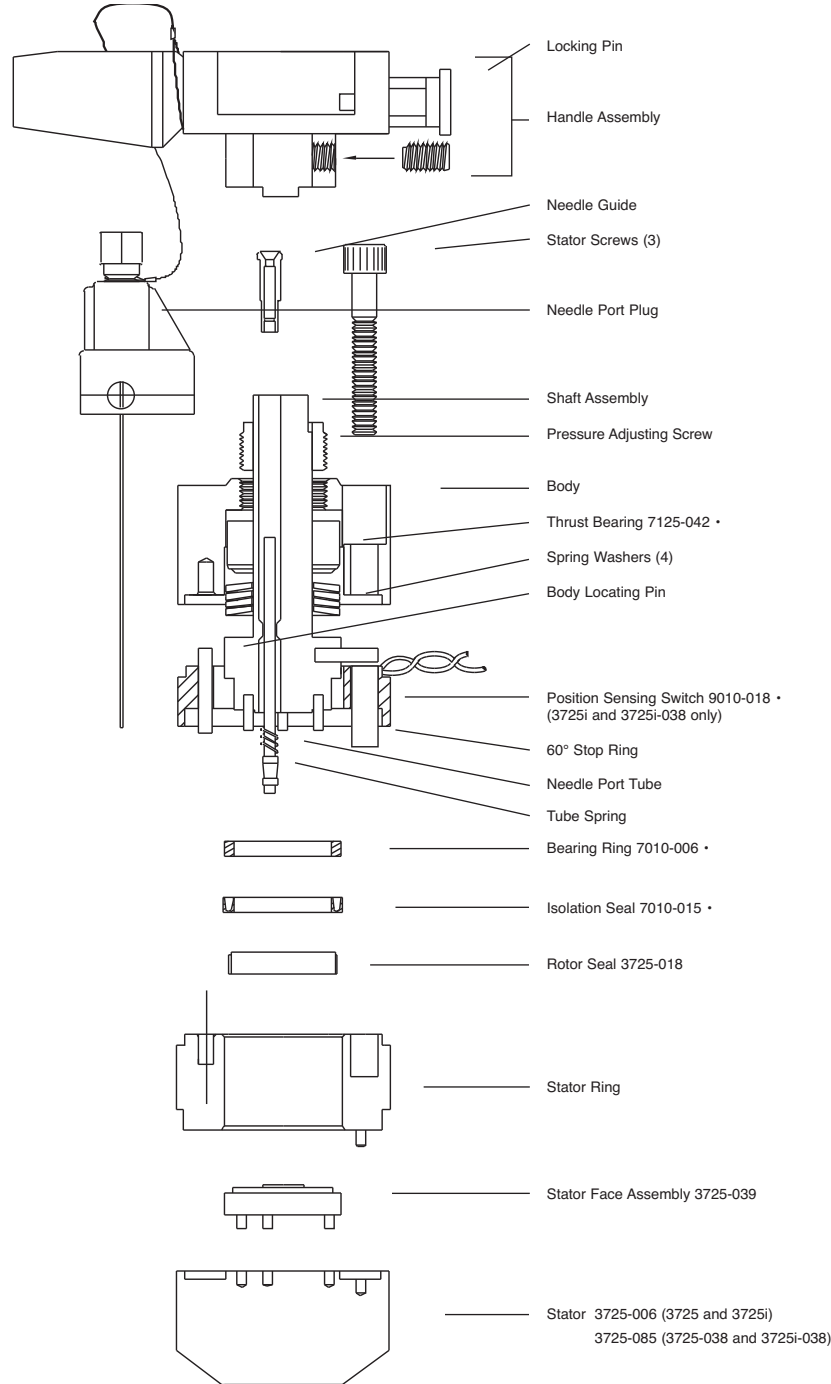
RheBuild Kit (P/N 9725-999)



Rheodyne Part Numbers

Models 7725/7725i, 9725/9725i, 3725-038/3725i-038, and 3725/3725i Sample Injection Valves

3725/3725i/3725-038/3725i-038



RheBuild® Kit (P/N 3725-999)

- Parts common to all valves
- ° Handle assembly includes knob, handle, set screws
- * Shaft Assembly includes shaft, rotor pin, seal pins