

Operating Instructions

Models 7315 and 7335

Column Inlet Filters

1.0 DESCRIPTION

Models 7315 and 7335 Column Inlet Filters protect the column inlet frit by trapping particles in the sample or wear particles in the injector. The filter minimizes column frit maintenance.

Model 7315 is recommended for micro-scale applications, while Model 7335 is recommended for analytical applications. The 1.5 mm (0.060") ID filter of Model 7315 provides moderate capacity and low dispersion. The 3.0 mm (0.120") ID filter of Model 7335 provides high capacity and moderate dispersion. Rheodyne's Technical Note 6 discusses how these filters affect resolution on various column types.

2.0 SUPPLIED WITH THE FILTER

- 0.18 mm (0.007") ID x 6 cm (2.4") long stainless steel tubes

3.0 SPECIFICATIONS

- Maximum Operating Pressure: 35 MPa (345 bar, 5000 psi)
- Wetted Surfaces: 316 stainless steel and Kel-F

4.0 IMPORTANT SAFETY NOTICES

4.1 Caution: Use only the fittings sets supplied. Do NOT use tubes with fittings that are swaged in a different port. Incorrect distance of tube end to ferrule can either destroy the filter end piece or cause loss in resolution.

4.2 Caution: Do not reuse filter discs as discs may deform when retightening the fittings.

4.3 Caution: Use a maximum of 2.4 kgf-m (23 N-m, 17 foot-pounds) torque when tightening the cap with a wrench. Overtightening the cap will deform the filter disc and the disc may become stuck in the endpieces. The filter comes assembled and ready for use. No further tightening is recommended due to risk of overtightening.

4.4 Caution: Do not overtighten the fittings in the body and cap. Overtightening the fittings will deform the end pieces and they may become stuck in the body and cap.

5.0 INSTALLATION

Rheodyne® Column Inlet Filter attaches between the sample injector and the column. Follow these steps to connect your Column Inlet Filter:

- Place one set of the supplied fittings on the

supplied tube and tighten into the body.

- Repeat step (a) for the cap.

c) Connect one side of the Column Inlet Filter with tube to the sample injector and the other side to the column using fittings sets. Flow can be in either direction, but the arrow on the body reminds you to always use the filter in the same direction.

6.0 MAINTENANCE

Replacing the filter disc periodically with genuine Rheodyne parts will maintain the precision performance of the Column Inlet Filter. See **Caution 4.2**.

6.1 DISASSEMBLY

Refer to Figure 1 and proceed as follows:

- Remove tubes and fittings from the body and cap of the Column Inlet Filter.

- Unscrew the cap from the body.

c) Remove the two end pieces and the filter disc inside.

- Clean end pieces, then discard the used filter disc.

6.2 REASSEMBLY

Refer to Figure 1 and proceed as follows:

- Place the new filter disc between the flat ends of the two end pieces.

b) Insert the two end pieces and new filter disc into the body while holding the body horizontally.

c) Screw the cap into the body until the threads on the cap do not show. The Column Inlet Filter should be assembled as shown in Figure 1.

- See **Caution 4.3**. Tighten the cap firmly with a wrench.

e) When reconnecting the Column Inlet Filter to the system, confirm that the arrow on the body points in the same direction as before disassembling. See **Caution 4.4**. Replace and tighten the fittings in the body and the cap.

7.0 RECOMMENDED SPARE PARTS

7315-010 Replacement 0.5 µm pore size x 1.5 mm ID Filter Discs for 7315, 5/pkg

7335-010 Replacement 0.5 µm pore size x 3.0 mm ID Filter Discs for 7335, 5/pkg

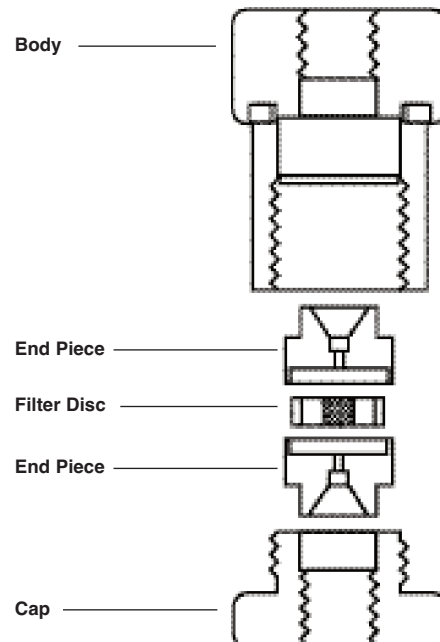


Fig. 1. Exploded view of the Column Inlet Filter.

8.0 WARRANTY

All Rheodyne products are warranted against defects in materials and workmanship for a period of one year following the date of shipment by Rheodyne. Rheodyne will repair or replace any Rheodyne product that fails during the warranty period due to a defect in materials or workmanship at no charge to the customer. The product must be returned to Rheodyne's factory in original packaging or equivalent, transportation prepaid. Damage occurring in transit is not covered by the warranty. This limited warranty is Rheodyne's sole warranty of its products, and all other warranties of merchantability or fitness for any particular purpose are hereby disclaimed. Under no circumstances will Rheodyne be liable for any consequential or incidental damages attributable to a claimed failure of a Rheodyne product, even if Rheodyne has been placed on notice of possibility of such damages.